

PROCESS OBSERVATION SOLUTIONS

INSTALLATION, OPERATION & MAINTENANCE MANUAL

FOR MODEL: T18-324MB-3

NOTICE

Be Careful do not overtighten Plastic parts! Could damage threads or nuts!

The John C Ernst Model T18-324MB-3 Mounting Bracket was designed, once installed, to be easily repositioned after installation.

Installation can be preformed prior or after the installation of the J14 Series Shielded Liquid Level Gauges.

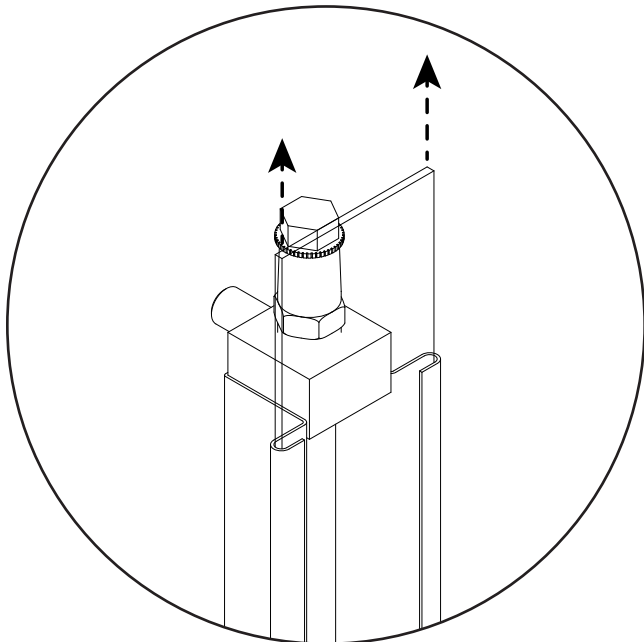
Please follow all installation instructions in the other equipment's Instruction Documentation.

NOTICE

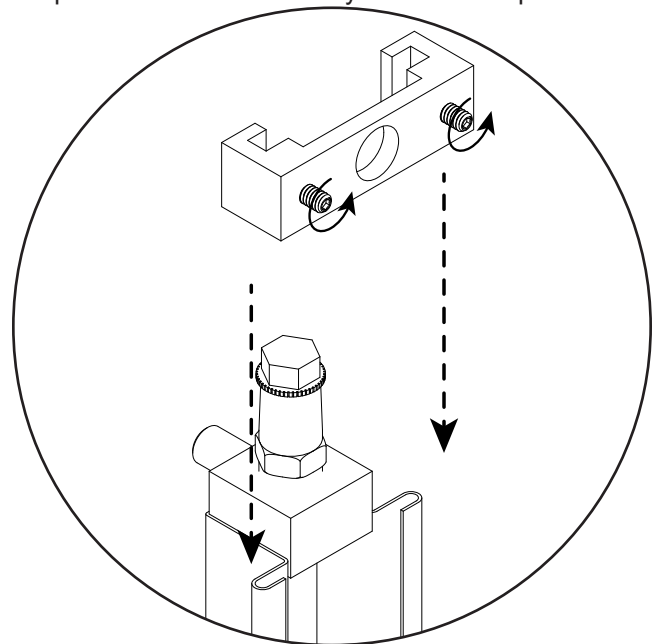
The polycarbonate shield may be cut to the mounting bracket position and reinstalled into the shielded level gauge after the final position has been established. Alternatively, a 3/4" hole may be drilled, then installed through the hole after the final position is determined.

Installation:

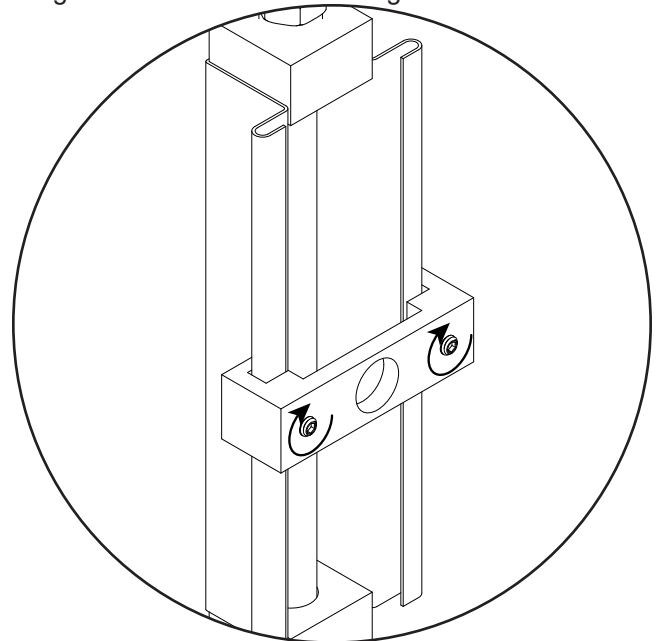
1. Slide and remove Polycarbonate Shield.



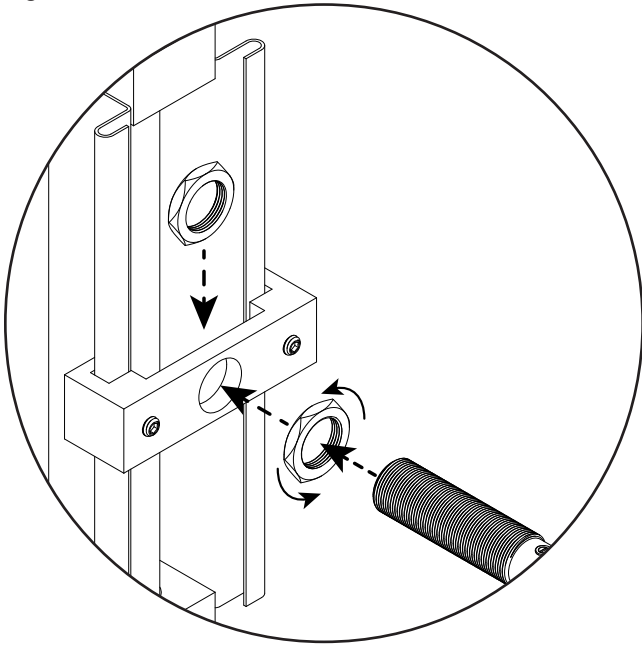
2. Loosen set-screws of mounting bracket.
3. Slide mounting bracket on to shield frame to desired level. If bracket does not slide on easily, gently squeeze the frame sides by hand or with pliers.



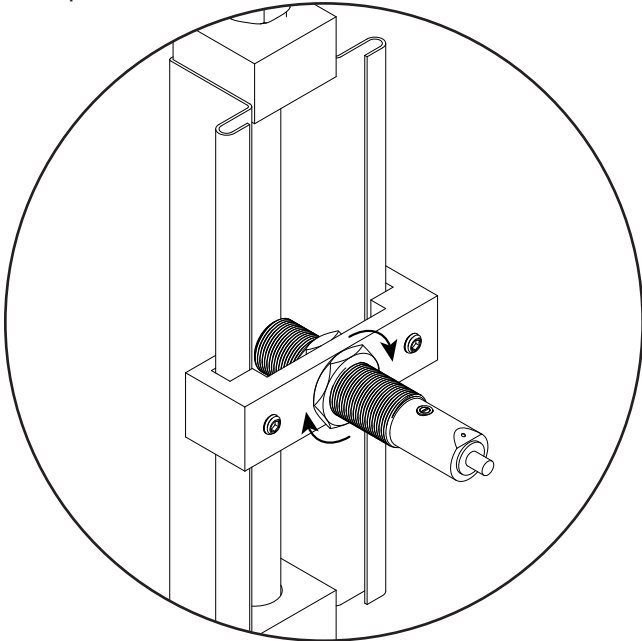
4. Tighten set-screws of mounting bracket.



5. Tread 1 plastic nut loosely on to the proximity switch.
6. Pass the proximity switch through the hole on the mounting bracket, as you do this, thread the other Nut to the proximity switch between the bracket and the glass.



7. Ensure the switch is touching the glass, then tighten the plastic nuts.



LIMITED WARRANTY

Period of Coverage: The John C. Ernst LLC. expressly warrants products to the original purchaser to be free from defects in the material and workmanship for 12 months from date of shipment. John C. Ernst LLC. will, at its option, replace or repair any products which fail during the warranty period due to defective material or workmanship. Evaluations, repairs, and replacements will most often occur in Sparta NJ 07871 USA, or another facility determined by the John C. Ernst LLC.. The warranty does not cover costs required to transport warranted units to or from the John C. Ernst facility.

Limitations: The responsibility of the John C. Ernst LLC. is hereunder limited to repairing or replacing the product at its expense. This warranty shall not apply if the product has been disassembled, tampered with, repaired, subjected to misuse, neglect, accident, or otherwise altered in any way. The warranty does not guarantee products against normal wear, glass breakage, clouding, or corrosion. The John C. Ernst LLC. shall not be liable for loss, shipping costs, damage, or expenses related directly or indirectly to the installation or use of its products. It is expressly understood that the John C. Ernst LLC. is not responsible for damage or injury caused to other products, buildings, personnel, citizens, or property by reason of the installation or use of its products.

Advertised ratings apply only to units serviced with parts supplied by the John. C. Ernst LLC. Use of parts during maintenance from other companies will void the warranty. Service must be done in accordance with the instructions of the product that is being serviced.

THIS IS JOHN C. ERNST, LLC's. SOLE WARRANTY AND IN LIEU OF ALL OTHER WARRANTIES, EXPRESSED OR IMPLIED WHICH ARE HEREBY EXCLUDED, INCLUDING IN PARTICULAR ALL WARRANTIES OF MERCHANTABILITY OR FITNESS FOR A PARTICULAR PURPOSE. WE WILL NOT BE LIABLE FOR INCIDENTAL, CONSEQUENTIAL OR SPECIAL DAMAGES OF ANY NATURE.

How to get Warranty Service: Prior to submitting any claim for warranty service, the owner must submit proof of purchase, and obtain written authorization to return the product. All returns must be sent back with an MSDS for the application that the product was used in, and with a maintenance log of all service including inspections. Thereafter, the product shall be returned to the John C. Ernst LLC. with freight paid and packaged to prevent damage in transit. Should damage in transit occur the John C. Ernst LLC. will not be held liable.