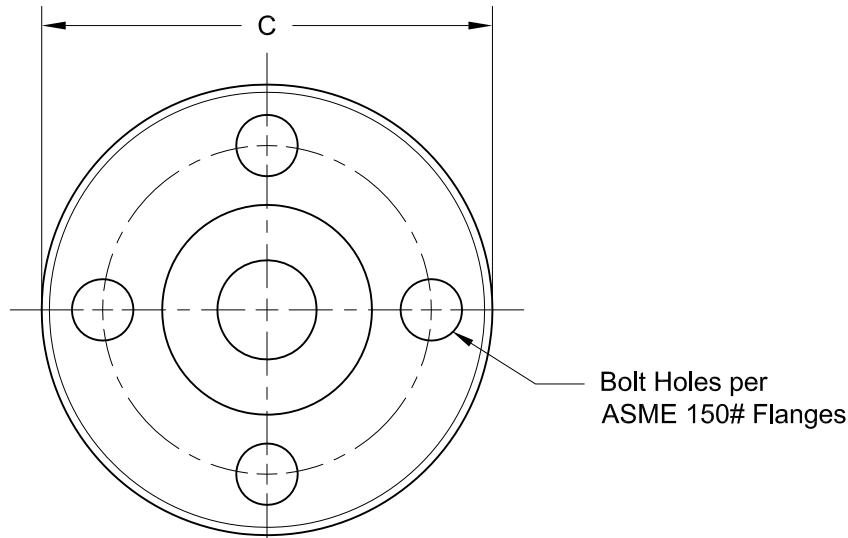
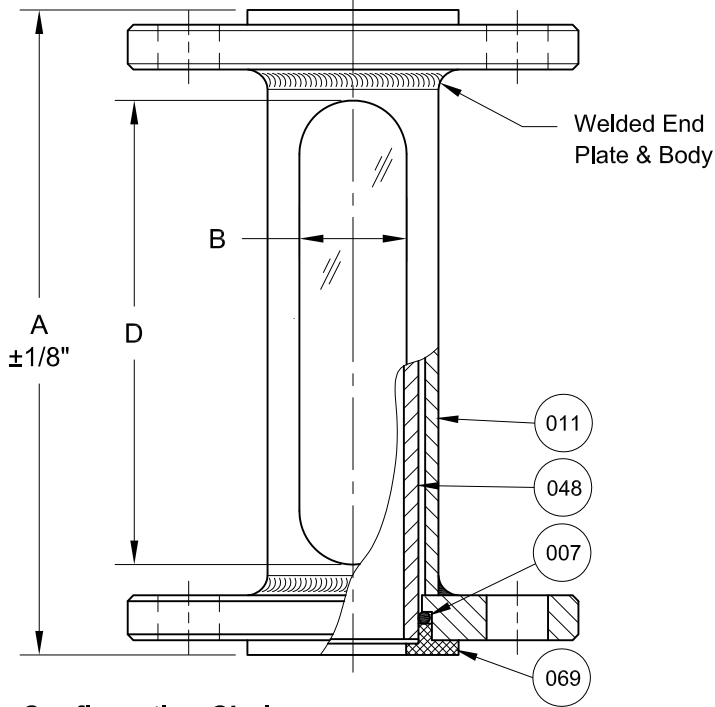


REVISIONS			
Rev.	Modification	Date	Done By
0	Original	6/14/2016	WAS
A	Added Zinc Plating to Carbon Steel	11/30/2016	WAS



BILL OF MATERIALS					
* - Denotes an Optional, Non-Standard Material					
No.	Name of Part	Qty.	Material	Max. Temp. (°F)	
Wetted	007	O-ring Seals	2	Neoprene	225
				Viton®	300
				*PTFE Encapsulated Silicone	300
				*EPDM	250
				*Buna-N	200
048	Sight Glass	1	Annealed Borosilicate		
069	Inserts	2	PTFE	300	
Non-Wetted	011	Armored Body	1	Zinc Plated Carbon Steel	
				304SS	
				316SS	



PRODUCT SPECIFICATIONS											
Flange Size	A ₄		B		C		D		Approx. Weight		Rating
	In.	mm.	In.	mm.	In.	mm.	In.	mm.	lbs.	kg.	PSIG
1/2	6-1/8	155.6	5/8	15.9	3-1/2	88.9	4-3/4	120.7	10	4.5	150
3/4	6-3/8	161.9	7/8	22.2	3-7/8	98.4	4-7/8	123.8	10	4.5	150
1	6-3/8	161.9	1	25.4	4-1/4	108.0	4-7/8	123.8	11	5.0	150
1-1/2	6-3/4	171.5	1-1/4	31.8	5	127.0	5	127.0	16	7.3	150
2	7-5/8	193.7	1-1/4	31.8	6	152.4	5-3/4	146.1	23	10.4	120
2-1/2	7-7/8	200.0	1-1/2	38.1	7	177.8	5-3/4	146.1	31	14.1	100
3	8-1/8	206.4	1-3/4	44.5	7-1/2	190.5	5-7/8	149.2	33	15.0	85
4	8-1/8	206.4	1-3/4	44.5	9	228.6	5-7/8	149.2	38	17.2	90

Notes:

- Limited to Glass and Gasket Ratings
- Acceptable for Full Vacuum Service
- Not Acceptable for Steam nor Gaseous Service
- Custom "A" Dimensions up to 36"

S19F Series Configuration Choices:

Reference the Series S19F Model Number Matrix on our Website or Inquire with our Sales Team

Viton® is a Registered Trademark of E.I. DuPont de Nemours Co. Inc.

JOHN C ERNST LLC.		www.JOHNERNST.com 21 Gail Ct. Sparta, N.J. USA		
				Series S19F Armored Flanged Full View Sight Flow Indicator
Sheet: 1 of 1	Drawn By: WAS	Tolerances, unless otherwise noted Dec.: ± Frac.: ± Ang.: ±		Size: A
Scale: NTS	Approved By: JCW	Dwg. No.: SC2.0S19F.00.0.0		Rev.: A
Dim.: Var.	Date: 14-JUN-16			