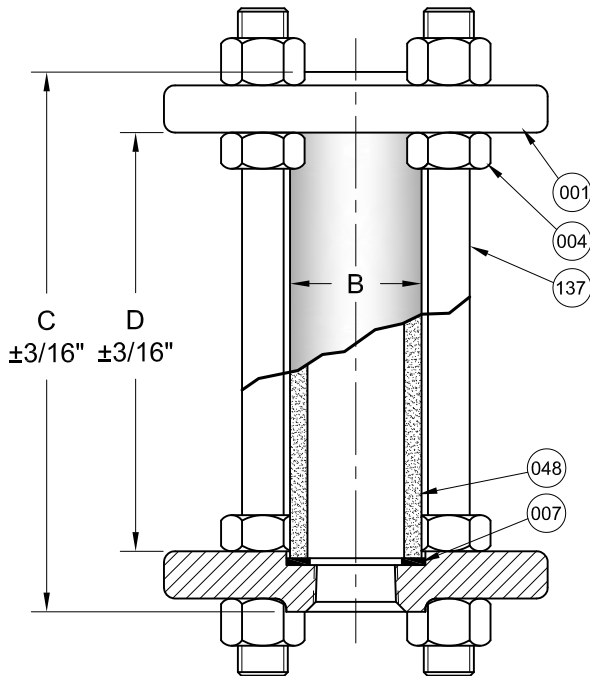


Female NPT Connections
per ASME B1.20.1



BILL OF MATERIALS					
* - Denotes an Optional, Non-Standard Material					
No.	Name of Part	Qty.	Material	Max. Temp. (°F)	Material Grade/Notes
001	150# Flanges	2	Zinc Plated CS		ASTM A36
			316SS		ASTM A182
			Iron		
007	Gasket	2	Neoprene	250	
			PTFE	400	
			*EPDM	250	
			*Viton®	350	
			*Graphite	446	
			*Non Asbestos	400	
048	Lens	1	Annealed Boro.	446	
137	Stay Rod	4	18-8 Stainless		
			*316SS		ASTM A193-B8M
			*304SS		
004	Nut	16	304SS		
			*316SS		ASTM A194-8M

PRODUCT SPECIFICATIONS													
FNPT Size	A		B		C		D		Weight		Rating @ Dim. "C" (PSIG)		
	In.	mm.	In.	mm.	In.	mm.	In.	mm.	lbs.	kg.	Std. (or Less)	Std. - 12"	12" - 18"
1/2	3-1/2	89	1-1/4	32	5	127	3-3/4	95	2	0.9	150	50	Atm.
3/4	3-7/8	98	1-1/2	38	5	127	3-3/4	95	3	1.4	150	50	Atm.
1	4-1/4	108	2	51	5-1/8	130	3-3/4	95	6	2.7	130	90	30
1-1/4	4-5/8	117	2-1/2	64	5-3/8	137	3-3/4	95	7	3.2	105	105	50
1-1/2	5	127	2-1/2	64	7-5/8	194	5-7/8	149	8	3.6	105	105	50
2	6	152	3-1/2	89	7-3/4	197	5-3/4	146	11	5.0	65	65	65
2-1/2	7	178	4	102	8	203	5-3/4	146	16	7.3	65	65	55
3	7-1/2	191	4-1/2	114	8-1/8	206	5-3/4	146	23	10.4	55	55	45
4	9	229	6	152	8-3/8	213	5-3/4	146	34	15.4	35	35	30

Notes:

1. Assembly Ratings are Limited to Glass & Gasket Ratings
2. Vacuum Rating: 1 Full Atm. / 0 PSIA / -14.7 PSIG
3. Inquire for Longer C & D Lengths

S18T Series Configuration Choices:

Reference the Series S18T Model Number Matrix on our Website or Inquire with our Sales Team

Viton® is a Registered Trademark of the Chemours Company

REVISIONS			
Rev.	Modification	Date	Done By
B	Max Temp & Longer Length Ratings	9/7/2017	WAS
C	Adjusted Longer Length Ratings	5/17/2018	WAS
D	Switched to SS Standard Bolting	3/16/2023	NPH

This Drawing and the Subject Matter Disclosed Therein is the Property of John C Ernst LLC. It is Not to be Copied, Used, Appropriated or Disclosed to Others Without the Expressed Permission of John C Ernst LLC.



www.johnernst.com • 21 Gail Ct Sparta NJ USA

Series S18T Female NPT Full View Sight Flow Indicator			
Sheet: 1 of 1	Drawn By: NPH	Tolerances, unless otherwise noted Dec.: ± Frac.: ±1/16 Ang.: ±	
Scale: NTS	Approved By: GEW	Size: A	
Dim.: Var.	Date: 18-MAY-18	Dwg. No.: SC2.0S18T.00.0.0	Rev.: D