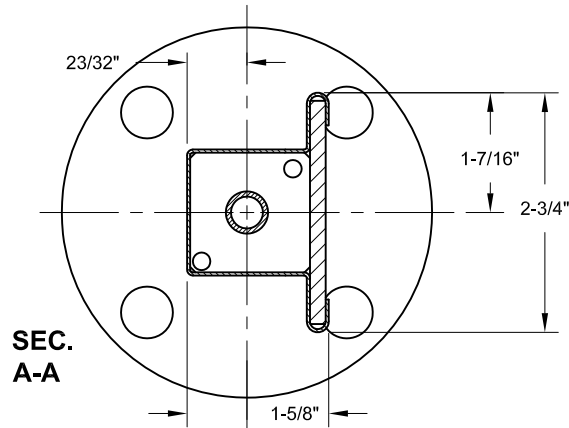
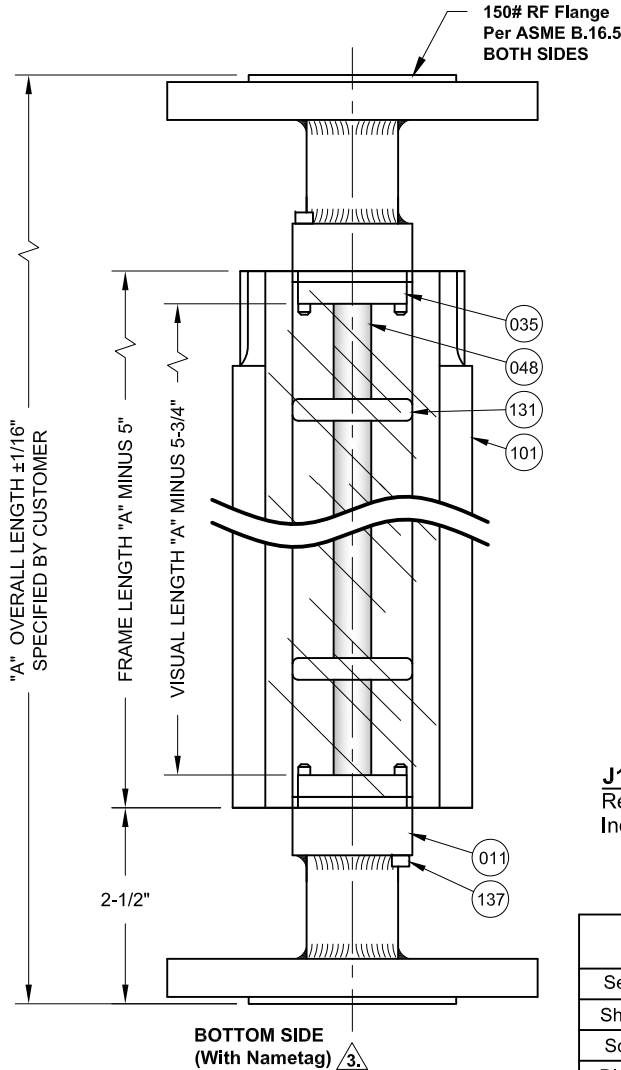
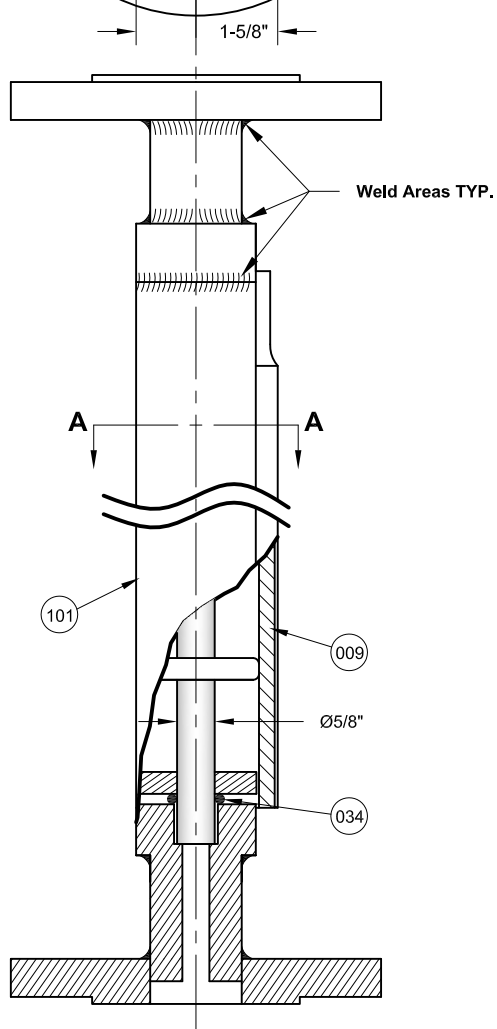


| REVISIONS | | | |
|-----------|---------------|------------|---------|
| Rev. | Modification | Date | Done By |
| A | Updated notes | 12/16/2020 | NPH |



SEC.
A-A



BILL OF MATERIALS

| No. | Name of Part | Qty. | Material |
|-----|-------------------|------|---|
| 011 | Body/Flanges | | Zinc Pl. Steel OR 316SS |
| 034 | Sight Tube O-Ring | 2 | Viton® / PTFE (Teflon®) / Buna-N / EPDM |
| 048 | Sight Glass | Var. | Borosilicate / FEP / PVC / Lexan® |
| 009 | Shield | 1 | Lexan® (Inquire for Scale Printing) |
| 035 | Retaining Plates | 2 | 316SS |
| 101 | 3 Sided Frame | | Zinc Pl. Steel OR 304SS |
| 131 | Bumper Ring | Var. | Buna-N |
| 137 | Studs | 4 | 18-8SS |

Notes:

1. Rated for FULL Vacuum Service
2. Addition of Splicers Reduces Visibility ~1" Per Splicer
3. Due to Glass Seating, Gauge **Cannot** be Flipped for Desired Orientation. Please Inquire for Orientation Requirements
4. Please Inquire for Steam Applications

J14C Series Configuration Choices:

Reference the Series J14C Model Number Matrix on our Website or Inquire with our Sales Team

Lexan® is a Registered Trademark of General Electric, Co. USA
Teflon® & Viton® are Registered Trademarks of The Chemours Company

JOHN C ERNST LLC.

www.JOHNERNST.com
21 Gail Ct. Sparta, N.J. USA

| | | | |
|--|------------------|--|------------|
| Series J14C Shielded Level Gauge - 5/8" OD Glass - 1/2" - 2" Flanged Connections | | | |
| Sheet: 1 of 1 | Drawn By: WAS | Tolerances, unless otherwise noted Dec.: ± Frac.: ± Ang.: ± | Size: A |
| Scale: NTS | Approved By: JCE | | |
| Dim.: Inches | Date: 09-MAR-17 | Dwg. No.: SC2.0J14C.01.0.0 | Rev.: A |