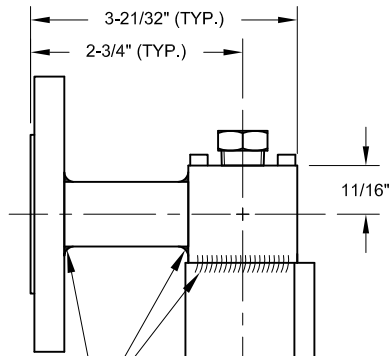
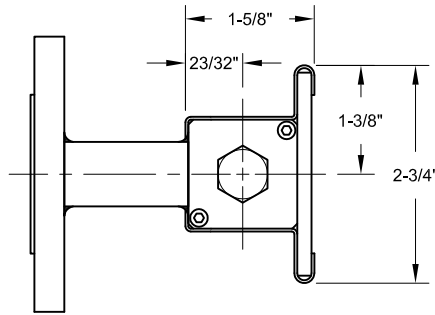
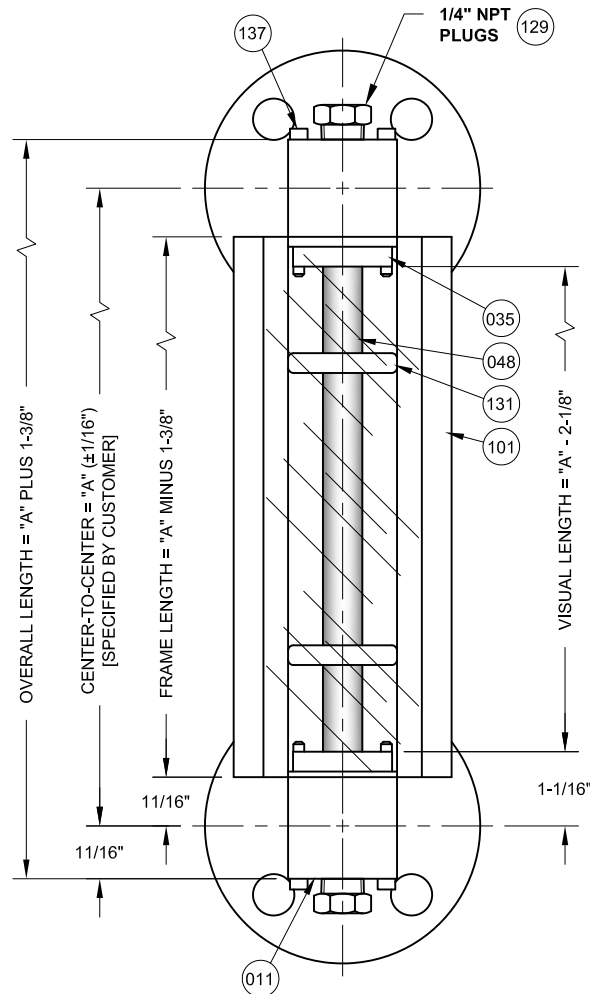
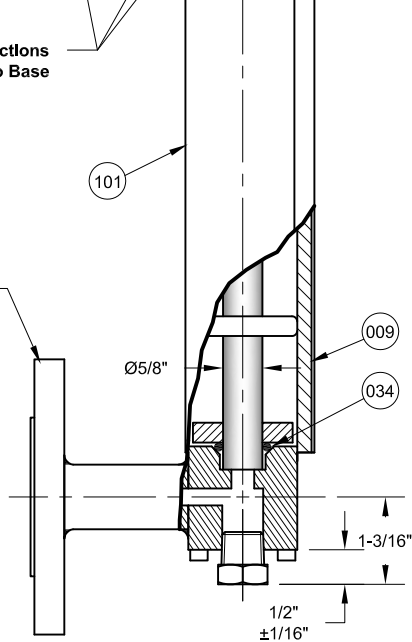


REVISIONS			
Rev.	Modification	Date	Done By
A	Updated Dims and Notes	3/11/2019	NPH
B	Updated notes	12/16/2020	NPH



Shield & Connections
Welded to Base

1/2" - 2" 150# RF
Flanges Per
ASME B16.5



BILL OF MATERIALS CHOOSE ONE			
No.	Name of Part	Qty.	Material
011	Body/Flanges		Zinc Pl. Steel OR 316SS
034	Sight Tube O-Ring	2	Viton® / FEP Encapsulated Silicone / Buna-N / EPDM
048	Sight Glass/Tube	Var.	Borosilicate / FEP / PVC / Lexan®
129	1/4" Top/Bottom Plug	2	Zinc Pl. Steel OR 316SS
134	Adaptor (1" Only)	2	PL Steel OR 316SS
009	Shield	1	Lexan (Inquire for Scale Printing)
035	Retaining Plates	2	316SS
101	3 Sided Frame		Zinc Pl. Steel OR 304SS
131	Bumper Ring	Var.	Buna-N
137	Studs	4	18-8SS

Notes:

1. Rated for **FULL** Vacuum Service
2. Addition of Splicers reduces visibility ~1" per splicer
3. Due to Glass Seating, gauge **cannot** be flipped for desired orientation. Please inquire for orientation requirements
4. Lower connection has Nameplate on side of frame

J14B Series Configuration Choices:

Reference the Series J14B Model Number Matrix on our Website or Inquire with our Sales Team

Lexan® is a Registered Trademark of General Electric, Co. USA
Viton® is a Registered Trademark of The Chemours Company

JOHN C ERNST LLC.		www.JOHNERNST.com 21 Gail Ct. Sparta, N.J. USA		
				Series J14B Shielded Level Gauge - 5/8" OD Glass - 1/2"-2" Flanged Connections
Sheet: 1 of 1	Drawn By: WAS	Tolerances, unless otherwise noted		Size: A
Scale: NTS	Approved By: JCW	Dec.: ± Frac.: ± Ang.: ±		
Dim.: Inches	Date: 26-MAY-17	Dwg. No.: SC2.0J14B.01.0.0		Rev.: B