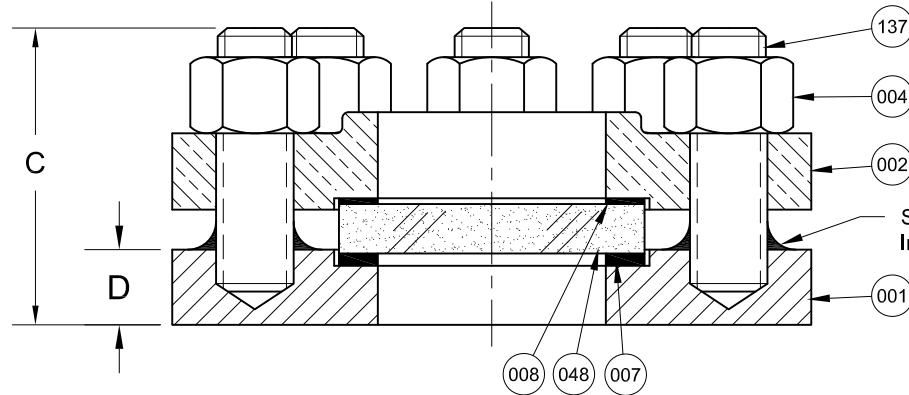


REVISIONS			
Rev.	Modification	Date	Done By
0	Original	8/10/2018	WAS
B	Updated Materials	4/13/2020	NPH
C	Added Weldpad Thickness	12/19/2021	NPH

BILL OF MATERIALS				
* - Denotes an Optional, Non-Standard Material				
No.	Name of Part	Qty.	Material	Max. Temp. (°F)
Wetted	001	1	Carbon Steel	
			316LSS	
	007	1	Neoprene	250
			Soft Chem PTFE	400
			*EPDM	250
			*Viton®	350
			*Graphite	500
009	1	*Non-Asbestos Fiber	500	
		*Buna-N	200	
048	1	*Mica V4		
		*FEP	400	
Non-Wetted	002	1	Painted Steel	
			*316SS	
	004	8	Plated Steel	
			*316SS	
	008	1	Non-Asbestos Fiber	
137	8	Black Oxide Coated Steel		
			*316SS	



PRODUCT SPECIFICATIONS										
Flange Size	A		B		C		D		Weight	
	In.	mm.	In.	mm.	In.	mm.	In.	mm.	lbs.	kg.
6	11	279.4	6-3/4	171.5	3-7/8	98.4	1	25.4	39.4	17.9
8	13-1/2	342.9	8-3/4	222.3	4-5/8	117.5	1-1/8	28.6	61.4	27.9

Rating: 150 PSIG @ -20 to 500°F

**KEY NOTES:**

1. Limited to Glass & Gasket Material
2. Please Inquire for Alternate Specs.

**W11 Series Configuration Choices:**

Reference the Series W11 Model Number Matrix on our Website or Inquire with our Sales Team

Viton® is a Registered Trademark of the Chemours Company

<b>JOHN C ERNST LLC.</b>		www.johnernst.com 21 Gail Ct. Sparta, N.J. USA	
Series W11 150 PSIG Weld Pad Sight Window 6" - 8"			
Sheet: 1 of 1	Drawn By: WAS	Tolerances, unless otherwise noted Dec.: ± Frac.: ± Ang.: ±	Size: A
Scale: NTS	Approved By: JCW		
Dim.: Var.	Date: 20-FEB-20	Dwg. No.: SC2.00W11.01.2.0	Rev.: C