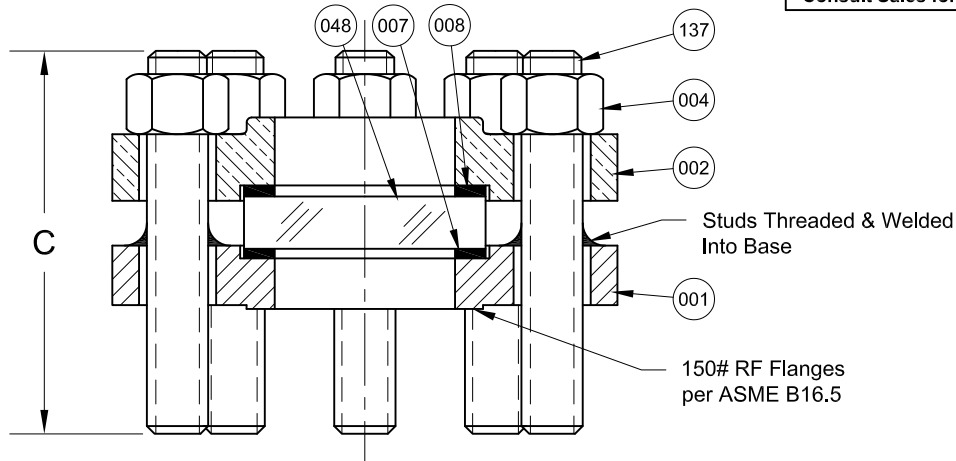


ASME CLASS 150 SERVICE PRESSURE/TEMP. RATINGS		
*Limited to Gasket & Glass Material		
Temp. (°F)	Pressure (PSIG)	
	CS	316SS
-20 to 100	285	275
150	270	255
200	260	235
250	245	225
300	230	215
350	215	205
400	200	195
450	185	180
500	170	170

\*Consult Sales for Higher & Lower Temps.



REVISIONS			
Rev.	Modification	Date	Done By
B	Updated materials	4/13/2020	NPH
C	Updated annotations	3/14/2022	NPH

BILL OF MATERIALS				
* - Denotes an Optional, Non-Standard Material				
No.	Name of Part	Qty.	Material	Max. Temp. (°F)
001	Mating Flange	1	Carbon Steel	
			316LSS	
007	Gasket	1	Neoprene	250
			Soft PTFE	400
			*EPDM	250
			*Viton®	350
			*Graphite	500
			Non-Asbestos Fiber	500
009	Shield (Opt.)	1	*Buna-N	200
			*Mica V4	
048	Lens	1	*FEP	400
			Tempered Borosilicate	500
002	Cover	1	Painted Steel	
			*316SS	
004	Nuts	8	Plated Steel	
			*316SS	
008	Cushion	1	Non-Asbestos Fiber	
137	Studs	8	Black Oxide Coated Steel	
			*316SS	

PRODUCT SPECIFICATIONS								
Flange Size	A		B		C		Weight	
	In.	mm.	In.	mm.	In.	mm.	lbs.	kg.
4	9	228.6	4-1/2	114.3	5-3/8	136.5	28.9	13.11
6	11	279.4	6-3/4	171.5	6-3/8	161.9	42.6	19.32
8	13-1/2	342.9	8-3/4	222.3	7-3/8	187.3	67.7	30.71

**W11 Series Configuration Choices:**

Reference the Series W11 Model Number Matrix on our Website or Inquire with our Sales Team

Viton® is a Registered Trademark of the Chemours Company

<b>JOHN C ERNST LLC.</b>		www.johnernst.com 21 Gail Ct. Sparta, N.J. USA	
Series W11 Bolt On High Pressure Sight Window 4" - 8"			
Sheet: 1 of 1	Drawn By: WAS	Tolerances, unless otherwise noted Dec.: ±    Frac.: ±    Ang.: ±	Size: A
Scale: <b>NTS</b>	Approved By: GEW		
Dim.: Var.	Date: 10-JUN-16	Dwg. No.: SC2.00W11.00.1.0	Rev.: C