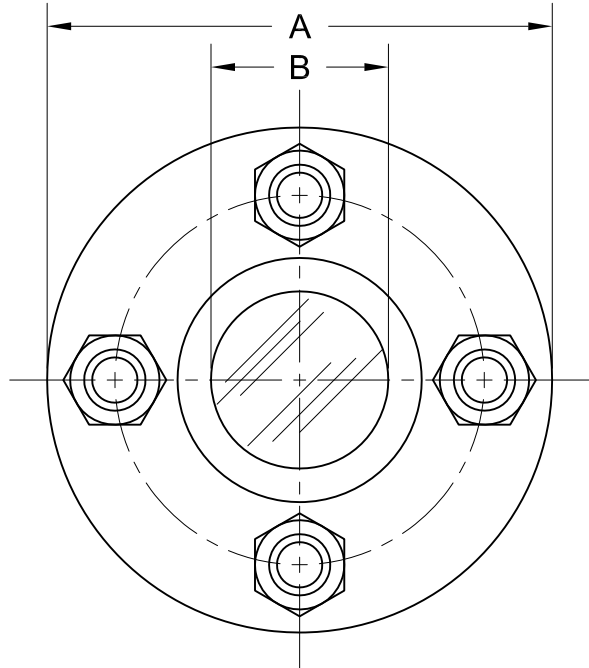


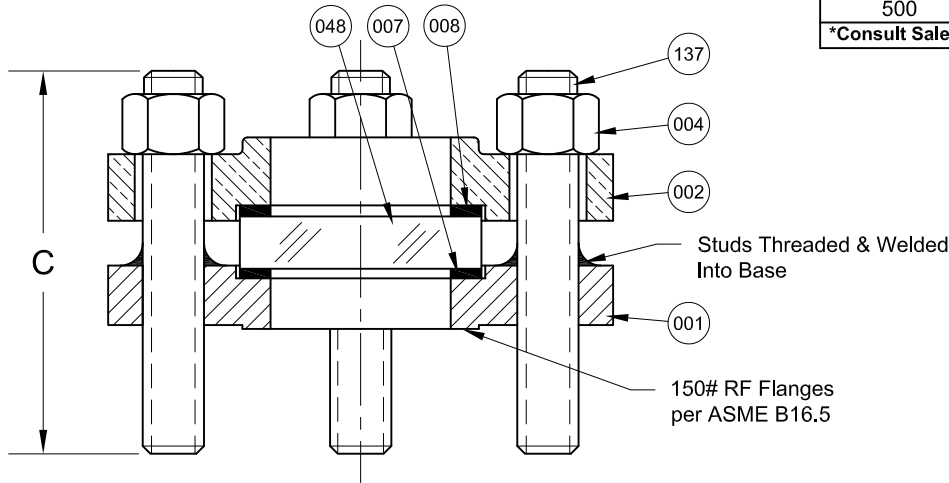
REVISIONS			
Rev.	Modification	Date	Done By
B	Updated Materials	4/13/2020	NPH
C	Updated annotations	6/10/2022	NPH



ASME CLASS 150 SERVICE PRESSURE/TEMP. RATINGS		
*Limited to Gasket & Glass Material		
Temp. (°F)	Pressure (PSIG)	
	CS	316SS
-20 to 100	285	275
150	270	255
200	260	235
250	245	225
300	230	215
350	215	205
400	200	195
450	185	180
500	170	170

*Consult Sales for Higher & Lower Temps.

BILL OF MATERIALS					
* - Denotes an Optional, Non-Standard Material					
No.	Name of Part	Qty.	Material	Max. Temp. (°F)	
Wetted	001	Mating Flange	1	Carbon Steel	
				316LSS	
	007	Gasket	1	Neoprene	250
				Soft PTFE	400
				*EPDM	250
				*Viton®	350
				*Graphite	500
				Non-Asbestos Fiber	500
				*Buna-N	200
	009	Shield (Opt.)	1	*Mica V4	
			*FEP	400	
048	Lens	1	Tempered Borosilicate	500	
Non-Wetted	002	Cover	1	Painted Steel	
				*316SS	
	004	Nuts	4	Plated Steel	
				*316SS	
	008	Cushion	1	Non-Asbestos Fiber	
137	Studs	4	Black Oxide Coated Steel		
			*316SS		



PRODUCT SPECIFICATIONS								
Flange Size	A		B		C		Weight	
	In.	mm.	In.	mm.	In.	mm.	lbs.	kg.
1	4-1/4	108.0	1-3/8	34.9	3-3/4	95.3	5.1	2.31
1-1/2	5	127.0	2	50.8	4-1/4	108.0	7.9	3.58
2	6	152.4	2-1/2	63.5	4-7/8	123.8	11.3	5.13
3	7-1/2	190.5	3-5/8	92.1	5-3/8	136.5	20.1	9.12

W11 Series Configuration Choices:

Reference the Series W11 Model Number Matrix on our Website or Inquire with our Sales Team

Viton® is a Registered Trademark of the Chemours Company

JOHN C ERNST LLC.		www.johnernst.com 21 Gail Ct. Sparta, N.J. USA		
				Series W11 Bolt On High Pressure Sight Window 1" - 3"
Sheet: 1 of 1	Drawn By: WAS	Tolerances, unless otherwise noted Dec.: ± Frac.: ± Ang.: ±		Size: A
Scale: NTS	Approved By: GEW	Dwg. No.: SC2.00W11.00.0.0		Rev.: C
Dim.: Var.	Date: 10-JUN-16			