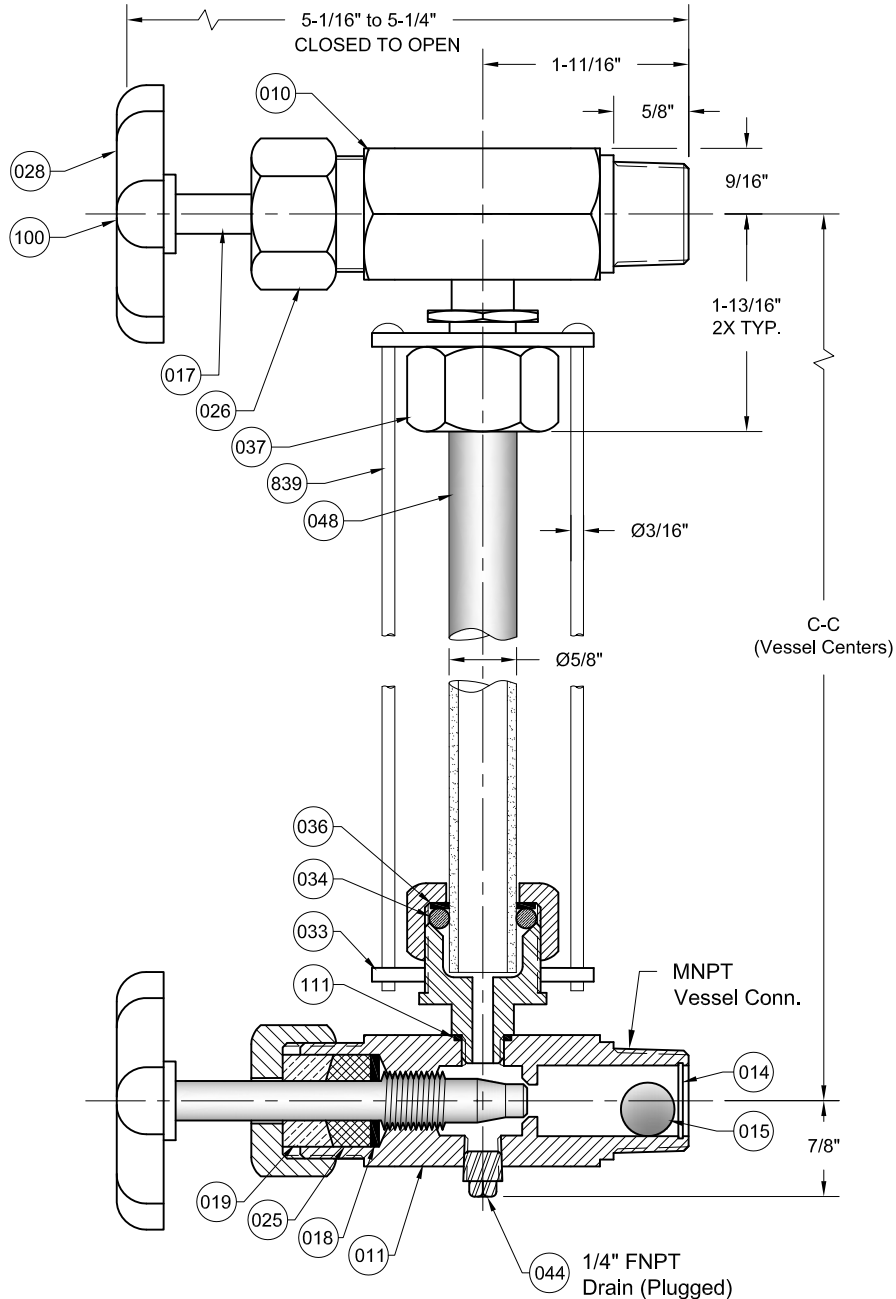


REVISIONS			
Rev.	Modification	Date	Done By
0	Original	8/3/2018	WAS
A	Visible Glass Length & Guard Rod Takeaway Modified	10/31/2018	WAS
B	Updated Materials	8/20/2019	NPH



BILL OF MATERIALS

*Denotes an Optional, Non-Standard Material

No.	Name of Part	Qty.	Material	Max. Temp. (°F)	Material Grade / Notes	
010	Upper Valve	1	316LSS (Body)		ASTM A276	
011	Lower Valve	1	316LSS (Body)		ASTM A276	
014	Ball Check Retainer	2	316SS		ASTM A276	
015	Ball Check	2	316SS		ASTM A276	
017	Stem	2	316SS		ASTM A276	
018	Stem Packing Retainer	2	316LSS		ASTM A276	
025	Stem Packing	2	PTFE	400		
034	Glass Gasket / O-Ring	2	Viton®	400		
			*FEP Encapsulated Silicone ₁	400		
			*Neoprene	212		
			*EPDM	266		
			*Buna-N	212		
044	Drain Plug	1	316SS		ASTM A276	
048	Sight Glass/Tube	1	Cust. Specified		Upon Request	
111	Stuffing Box Seal	2	PTFE	400		
Non-Wetted	019	Stem Packing Gland	2	316LSS		ASTM A276
	026	Stem Packing Nut	2	316SS		
	028	Handwheel	2	Zinc		AG40A
	033	Guard Rod Holder	2	Aluminum		6061
	036	Glass Packing Gland	2	316LSS		ASTM A276
	037	Glass Packing Nut	2	316LSS		ASTM A276
	100	Handwheel Screw & Washer	2	Stainless Steel		(Not Pictured)
839	Guard Rods	4	304SS		Upon Request	

PRODUCT SPECIFICATIONS

Assembly Limited to Glass and Gasket Ratings

Size MNPT	Liquid Service (PSIG)	Vacuum Service ₁	Steam Service (PSIG)	Auto Ball Checks	Glass OD	Glass Length From Centers	Rod Length From Centers
1/2"	500 @	0 PSIA / 1 Full Atm. /	Not	Yes	5/8"	- 2-3/4"	- 1-3/4"
3/4"	100°F to 400°F	-14.7 PSIG / 30" of Hg.	Recommended				

KEY NOTES:

- Vacuum Service Ratings do not Apply for FEP Encapsulated Silicone O-Rings

JOHN C ERNST LLC.

www.johnernst.com
21 Gail Ct. Sparta, N.J. USA

Series T13 Style 441 316SS Valve Set with Male NPT Connections

Sheet: 1 of 1	Drawn By: WAS	Tolerances, unless otherwise noted Dec.: ±0.031" Frac.: ±1/32" Ang.: ±	Size: A
Scale: NTS	Approved By: JCW		Rev.: B
Dim.: Inches	Date: 31-OCT-18	Dwg. No.: SC2.00T13.01.0.0	

T13 Series Configuration Choices:

Reference the Series T13 Model Number Matrix on our Website or Inquire with our Sales Team